



Package Insert

Affymetrix® Gene 1.1 ST Array Strips

Intended Use

The Affymetrix® Gene 1.1 ST Array Strips for the GeneAtlas System offers the most advanced and cost-effective gene expression profiling option for whole-transcript coverage. Probes are distributed across the full length of the gene, providing a more complete and accurate picture of overall gene expression.

Discovery content, such as transcript regions supported by more speculative sources including Expressed Sequence Tags (ESTs) and gene predictions, are not interrogated by the Gene 1.1 ST Array Strips.

Oligonucleotide probes are synthesized *in situ* complementary to each corresponding sequence. For expression analysis, the samples need to be amplified, and the targets labeled in the sense orientation for hybridization to the arrays.

Affymetrix arrays strips are for research use only and not intended for use in diagnosis of disease.

Please refer to www.affymetrix.com for a complete list of available Affymetrix Gene 1.1 ST Array Strips, supporting documentation and procedures regarding target preparation, target hybridization, washing, staining, and scanning.

Instructions for Use

For instructions on using the Gene 1.1 Array Strips refer to the *GeneAtlas™ WT Expression Kit User Manual* (P/N 702939).

Library Files

Library files contain information about the probe array design characteristics, probe use and content, and scanning and analysis parameters. These files are unique for each probe array type, and must be installed prior to processing of the array strip in the GeneAtlas Instrument Control Software. Library files can be automatically installed on your GeneAtlas system by selecting Utility Actions > Download Library Files in the In the GeneAtlas™ Instrument Control Software.

Additional information can be located under the specific array product on the Affymetrix web site at:

www.affymetrix.com/support/technical/libraryfilesmain.affx

REAGENTS REQUIRED

This array strip is specifically designed for use with the GeneAtlas system. The following table lists the kits required to process an array strip.

P/N	Product Name	Description
4411973	Ambion® WT Expression Kit ¹	10 Rxn
4411974	Ambion® WT Expression Kit ¹	30 Rxn
901525	GeneChip® WT Terminal Labeling and Controls Kit ²	10 Rxn
901524	GeneChip® WT Terminal Labeling and Controls Kit ²	30 Rxn
901667	GeneAtlas™ Hybridization, Wash, and Stain Kit for WT Array Strips	60 Rxns

1. Available for purchase at www.Ambion.com.
2. Each GeneChip® WT Terminal Labeling and Controls Kit contains: GeneChip® WT Terminal Labeling Kit, GeneChip® Poly-A Control Kit, GeneChip® Hybridization Control Kit. These kits may be purchased individually.

Affymetrix® products can be purchased directly from Affymetrix in the United States, and many European and Asian countries. For all other territories, please view a list of our distribution partners, which can be located at www.affymetrix.com/site/contact/index.affx.

Precautions

1. AFFYMETRIX ARRAY STRIPS ARE FOR RESEARCH USE ONLY; NOT FOR DIAGNOSTIC PROCEDURES.
2. Avoid microbial contamination, which may cause erroneous results.
3. **WARNING: All biological specimens and materials with which they come into contact should be handled as if capable of transmitting infection and disposed of with proper precautions in accordance with federal, state, and local regulations. This includes adherence to the OSHA Bloodborne Pathogens Standard (29 CFR 1910.1030) for blood-derived and other samples governed by this act. Never pipet by mouth. Avoid specimen contact with skin and mucous membranes.**
4. **CAUTION:** Exercise standard precautions when obtaining, handling, and disposing of potentially carcinogenic reagents.
5. Exercise care to avoid cross-contamination of samples during all steps of this procedure, as this may lead to erroneous results.
6. Use powder-free gloves whenever possible to minimize introduction of powder particles into sample or probe array strips.

Contact Information

Affymetrix, Inc.

3420 Central Expressway
Santa Clara, CA 95051 USA
E-mail: support@affymetrix.com
Tel: 1-888-362-2447 (1-888-DNA-CHIP)
Fax: 1-408-731-5441

Affymetrix Japan, K. K.

ORIX Hamamatsucho Bldg, 7F
1-24-8 Hamamatsucho, Minato-ku
Tokyo 105-0013 Japan
E-mail: supportjapan@affymetrix.com
Tel: +81-3-6430-4020
Fax: +81-3-6430-4021

Affymetrix UK Ltd

Voyager, Mercury Park,
Wycombe Lane, Wooburn Green,
High Wycombe HP10 0HH
United Kingdom
E-mail: supporteurope@affymetrix.com
UK and Others Tel: +44 (0) 1628 552550
France Tel: 0800919505
Germany Tel: 01803001334
Fax: +44 (0) 1628 552585

Please visit our web site for international distributor contact information
www.affymetrix.com

Storage, Handling and Stability

The Affymetrix array strips should be stored at 2° to 8°C and must not be frozen. Refer to the expiration date on the package label. Do not use probe arrays or reagents after the expiration date.

When Handling the Array Strip

Always remove the array strip from the pouch with gloved hands using caution not to damage or scratch the array surface.

Array Strip Consumables

Figure 1. Affymetrix® Array Strip

Clear Plastic

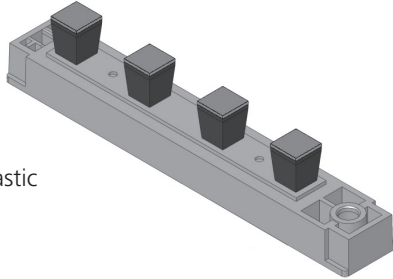


Figure 2. GeneAtlas™ Hybridization Tray

Clear Plastic

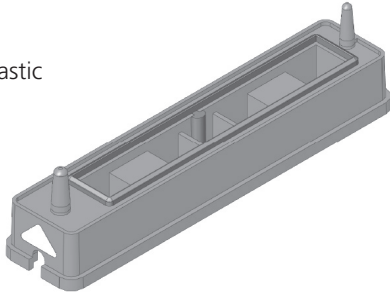


Figure 3. GeneAtlas™ Wash B Tray

Clear Plastic

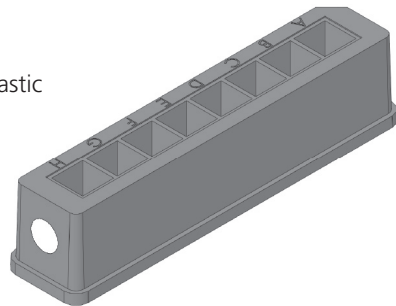


Figure 4. GeneAtlas™ Imaging Tray

Black Plastic

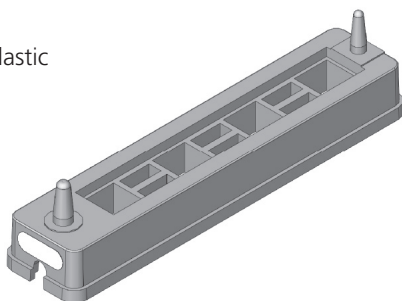
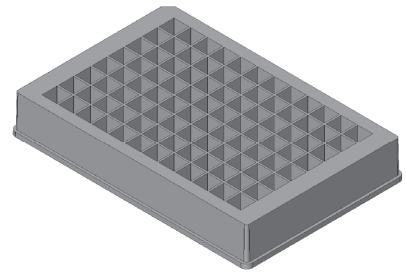


Figure 5. GeneAtlas™ Wash A and Stain Tray

Clear Plastic



Limited License

Subject to the Affymetrix terms and conditions that govern your use of Affymetrix products, Affymetrix grants you a non-exclusive, non-transferable, non-sublicensable license to use this Affymetrix product only in accordance with the manual and written instructions provided by Affymetrix. You understand and agree that except as expressly set forth in the Affymetrix terms and conditions, that no right or license to any patent or other intellectual property owned or licensable by Affymetrix is conveyed or implied by this Affymetrix product. In particular, no right or license is conveyed or implied to use this Affymetrix product in combination with a product not provided, licensed or specifically recommended by Affymetrix for such use.

Patents

Products may be covered by one or more of the following patents: U.S. Patent Nos. 5,445,934; 5,744,305; 6,399,365; 6,733,977; 7,790,389 and other U.S. or foreign patents. Products are manufactured and sold under license from OGT under 5,700,637.

Trademarks

Affymetrix®, Axiom®, Command Console®, CytoScan™, DMET™, GeneAtlas®, GeneChip®, GeneChip-compatible™, GeneTitan®, Genotyping Console™, myDesign™, NetAffx®, OncoScan™, Powered by Affymetrix™, PrimeView™, Procarta®, and QuantiGene® are trademarks or registered trademarks of Affymetrix, Inc. All other trademarks are the property of their respective owners.

Copyright

© Affymetrix, Inc. All rights reserved.